



Shipping & Mailing

Postage Meters

The Connect+[®] 500W

Make your job simpler, be more productive.

Your work day is complicated.

Meeting your office deadlines for billings, statements and customer notifications is critical.

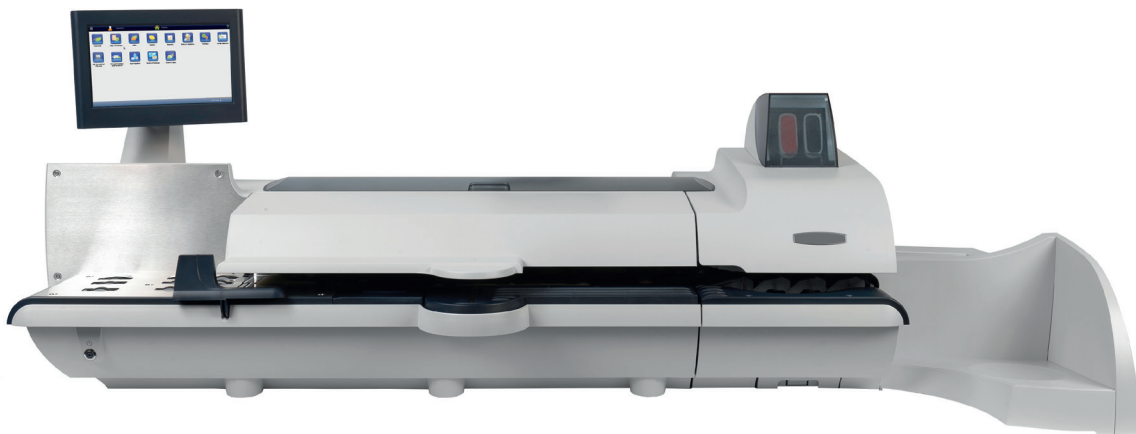
It can be difficult when you have to juggle different types of mail and ensure that every piece has the correct postage and tracking barcode when required. Every job needs to be done right, and done on time. Meet the daily challenge with the Connect+ 500W mailing system.

Simplify it with the Connect+ 500W mailing system.

The Connect+ 500W helps you meet your daily deadlines and keep up with ever-changing Postal rules. With its advanced technology, your mailing efforts are simplified, for both everyday mail and for special mailing needs.

The Connect+ 500W

- Handles mail with mixed sizes, thicknesses and weights, eliminating many manual steps
- Simplifies shipping by handling small and large parcels at the best rate
- Provides an advanced level of technology for the precision and accuracy you need
- Saves money with standard graphics printing for return addresses or promotional messages



For more information, visit us online at pitneybowes.com

Handle your time sensitive projects with ease.

High performance: The Connect+® 500W mailing system is fast enough for your biggest jobs, yet nimble enough to help you with complicated work. It will seal envelopes up to 5/8" while printing postage at up to 120 letters per minute.

Weigh-on-the-Way® (WOW®): The Connect+ 500W mailing system simplifies processing of mixed weight and mixed size mail via its automatic weighing and rating. That keeps it simple for you as you no longer need to stop to calculate or guess on postage. It does it for you.

Parcel ready: Process large envelopes and parcels, with options to support Postal requirements for package barcode labels. That makes sending packages simpler.

Remove complexity and improve your tracking abilities.

Intuitive interface: Postal rules change frequently and are often misunderstood. The Connect+ 500W mailing system makes those rules clear with its easy-to-follow menu on the color touch screen.

Manage finances: The Connect+ 500W makes it easy to track postage by helping you manage your cash flow, postage purchases and expense allocations by department or by job. The optional INVIEW® Dashboard simplifies tracking for one or multiple office locations.



Specifications	Connect+ 500W
Dimensions	65" L x 25" D x 24" H with drop stacker
Weigh-on-the-Way (WOW)	Standard—up to 16 oz. (500g)
Shape based rating	Standard—automatic
Max processing speed (letters per minute)	Up to 60 WOW, and 120 non-WOW
Envelope processing	Thickness: feed and seal up to 5/8" Media size: 3 1/2" x 5" up to 10" x 14" Envelope flap depth: min. 1", max. 3 7/8"
Weighing and rating	10 lb. (standard); additional options up to 70 lbs
Color touch screen display	Standard—10.2" (WSVGA); optional—15" detachable display (XGA)
Connect+ analytics	Standard—up to 50 accounts; options up to 3,000 accounts
Package tape printing	Standard—adhesive roll tape
Flexible printing	Standard—download graphic images or create envelope text
Full-color printing	Optional—1200 dpi CMYK



United States
3001 Summer Street
Stamford, CT 06926-0700

